

SMD GEARBOX



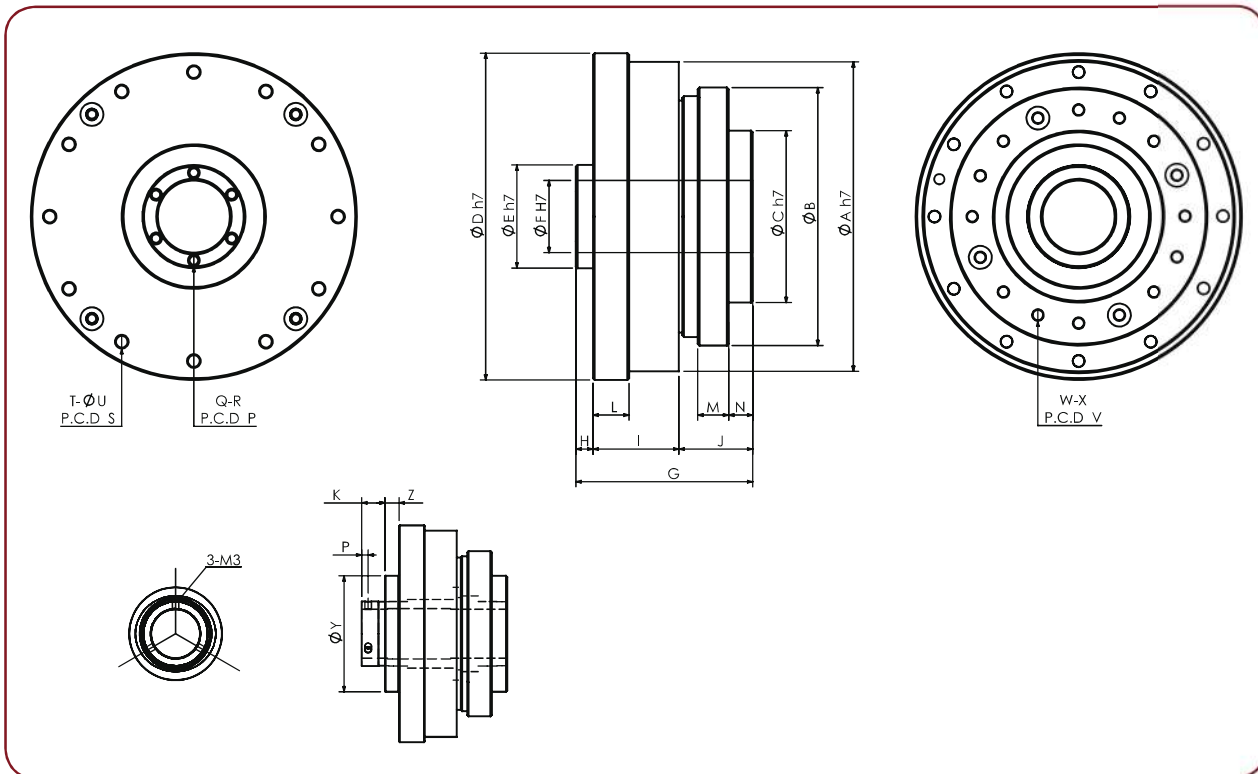
SMD

BRILLIANTLY AGILE!



HIGH PRECISION SERVO GEARBOX

SSHG Series-Harmonic Gearbox With Hollow Shaft Ends



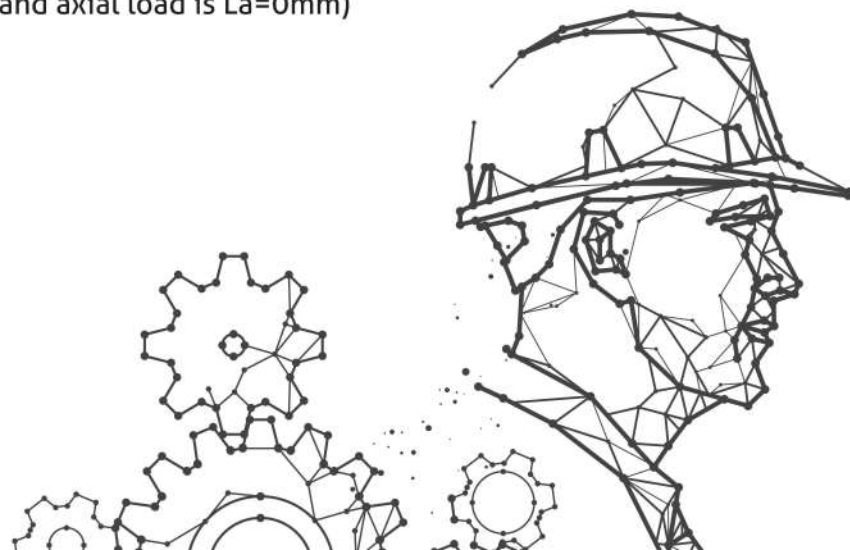
Feature

- » Diverse Appearance; suitable for robot arm. Short axial dimension.
- » High rigidity for stable precision work. More compact and higher accurate.
- » Applied in robot industry, especially for multi-axis Robot joints.
- » Hollow Shaft.

Specification Chart

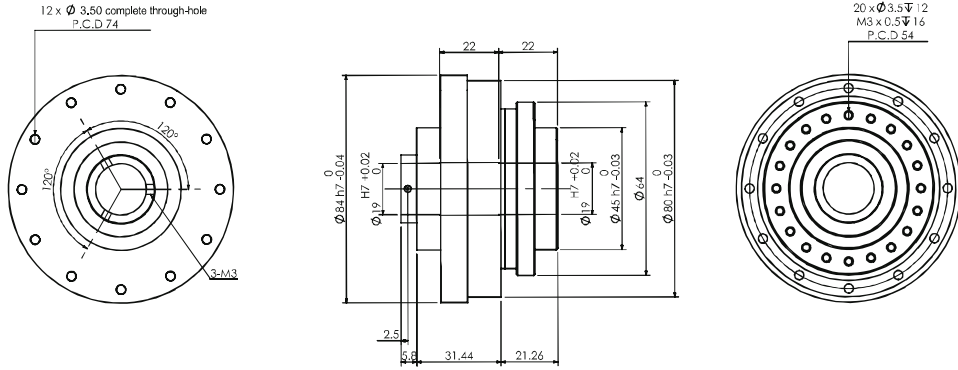
Performance	Unit	Ratio	SSHG17	SSHG20	SSHG25	SSHG32
Nominal Output Torque	kgf*m/Nm	50	2.1/20.58	3.3/32.34	5.2/50.96	10/98
		80	2.9/28.42	4.4/43.5	8.4/82.32	15.5/152.5
		100	3.1/30.5	5.3/51.94	8.8/86.5	18/176.4
		120	3.2/31.36	5.3/51.94	8.8/86.5	18/176.4
Maximum Acceleration Torque	kgf*m/Nm	50/120	3 times nominal output torque			
Emergency Stop Torque	kgf*m/Nm	50	9/91	13/127	25/242	51/497
		80	12/113	17/165	34/332	75/738
		100	15/143	20/191	38/369	86/841
		120	11/112	20/191	40/395	91/892
Permissible Input Speed	rpm	50/120	3,500			
Standard Backlash	Arc-min	50/120	0.33	0.28	0.28	0.23
	Arc-sec	50/120	20	17	17	14
Max Tilting moment-at flange face	kgf*m / Nm	50/120	9.59/93.98	24.04/235.59	41.19/403.6	67.01/656.6
Maximum Radial Force	kgf/N	50/120	320/3136	687/6732	969/9496	1207/11828
Maximum Axial Force	kgf/N	50/120	160/1568	343.5/3366	484.5/4748	603.5/5914
Rated Operation Life	hr	50/120	10,000 At permissible input speed and nominal output torque.			
Operating Temperature	°C	50/120	-10 °C to 40 °C (ambient) / 90 °C (case maximum temp.)			
Sound Level	dB	50/120	52	53	55	60
Lubrication	-	50/120	4B No.2			
Ingress Protection Class	IP	50/120	IP54			
Gearhead Inertia	($1 \times 10^{-4} \text{kgm}^2$)	50/120	0.054	0.09	0.282	1.09
	($1 \times 10^{-5} \text{kgm}^2$)	50/120	0.055	0.092	0.288	1.11
Weight	kg	50/120	1	1.38	2.1	4.5
No Load Running Torque	kgf*m/Nm	50/120	2.7 / 0.26	4.7 / 0.46	8 / 0.79	16 / 1.58

- » For 1000 Times max during life of gearhead At permissible input speed and Continuous Output Torque At input speed of 1000 rpm Efficiency = 85% at permissible input speed and full load
- » Permissible axial load or permissible radial load is the value that satisfies the reducer life when either a pure radial load or an axial load is applied to the flange face. (When radial load is $L_r + R = 0 \text{mm}$, and axial load is $L_a = 0 \text{mm}$)

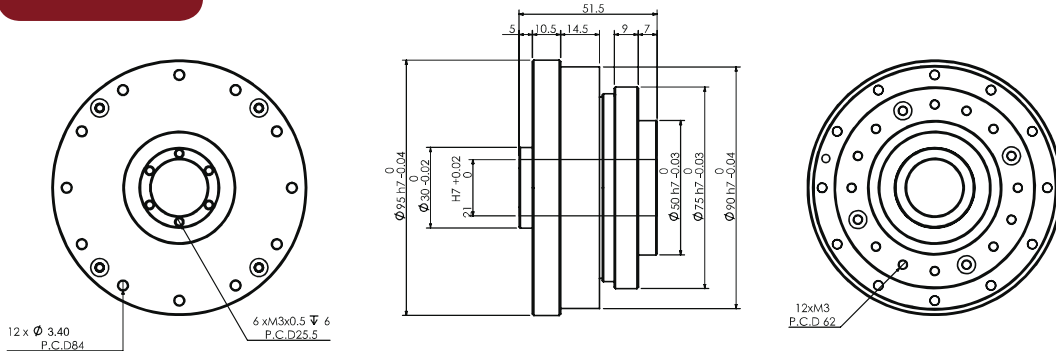


Mechanical dimension

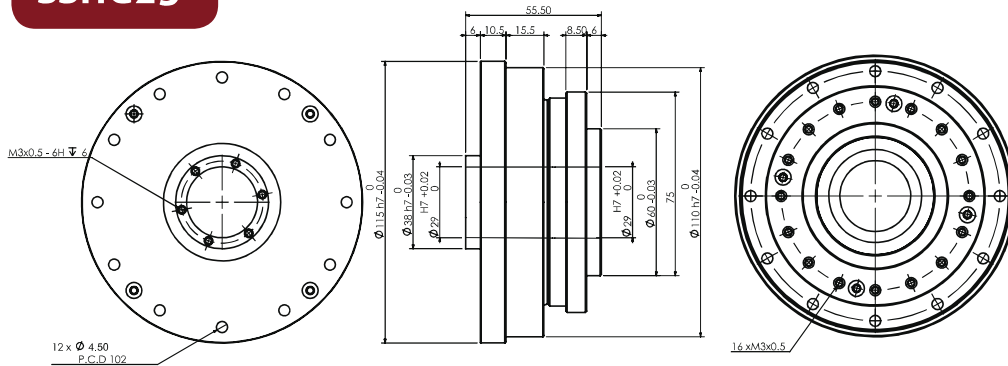
SSHG17



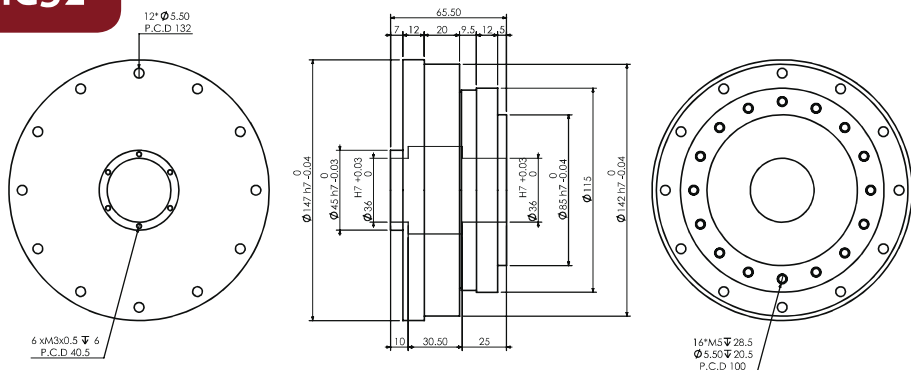
SSHG20



SSHG25



SSHG32



SMD Right Angle Gearbox

4 Reasons to Increase 50% Production



1

EXCLUSIVE PRODUCT,
BACKLASH 1 ACR-MIN



2

INCREASES MACHINE
WORKING SPEED & STABILITY



3

LOW VIBRATION



4

INCREASE PRODUCTION
EFFICIENCY & QUANTITY



GET IN TOUCH!

HEADQUARTERS

SMD Gearbox (Taiwan)

📍 No. 339, Taishun Road, Taiping Dist,
Taichung City, Taiwan

☎ +886 (09) 67388376

HEAD OFFICE (OVERSEAS)

SMD Gearbox (India)

📍 A-51, H Block, M.I.D.C, Pimpri-Chinchwad,
Pune-411018, Maharashtra, India

☎ +91 7030669818

✉ sales@smdgearbox.com

🌐 www.smdgearbox.com

