

# SMD GEARBOX



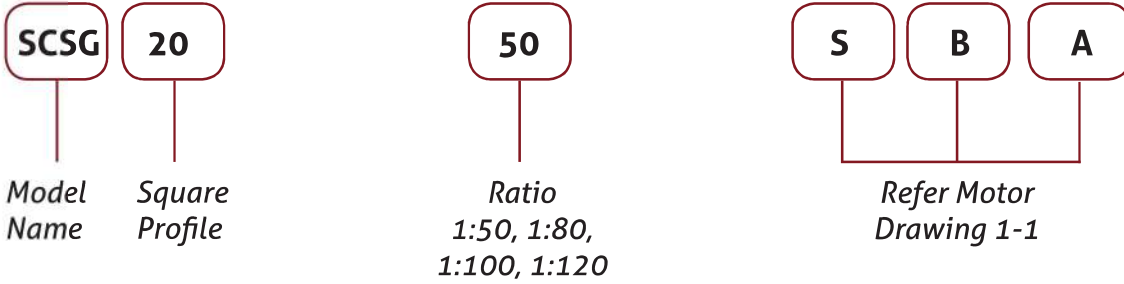
**SMD**

BRILLIANTLY AGILE!



**HIGH PRECISION  
SERVO GEARBOX**

# SCSG Series-Harmonic Series With Shaft End

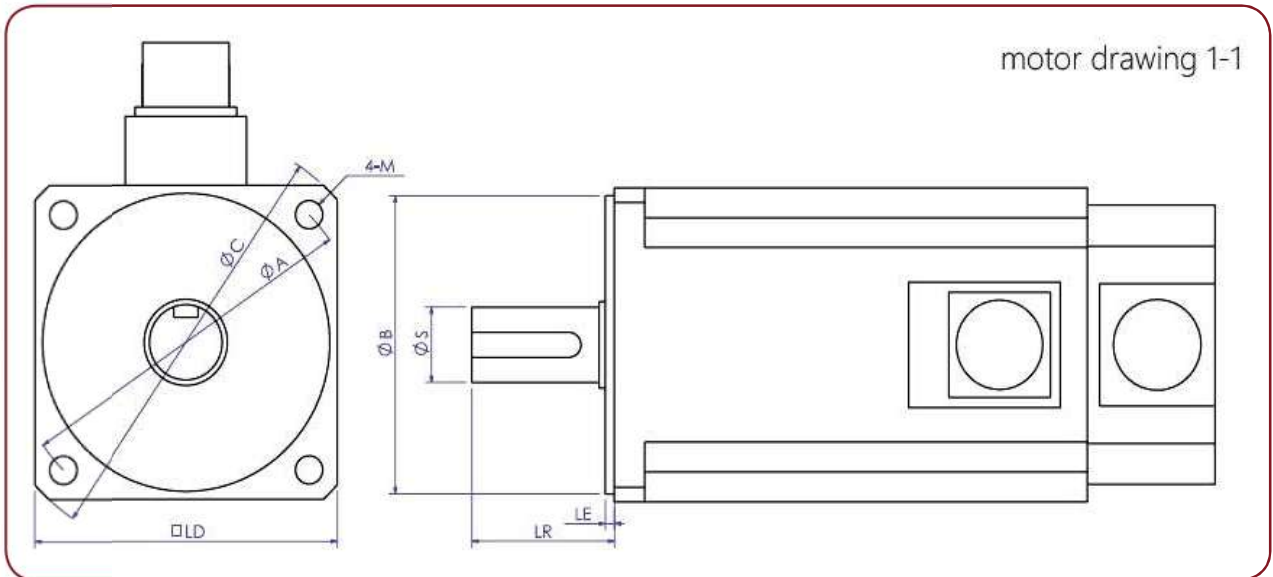


SCSG 17  
SCSG 20

57.5X Ø79mm  
67X Ø93mm

SCSG 25  
SCSG 32

72X Ø107mm  
89.5X Ø138mm



## Feature

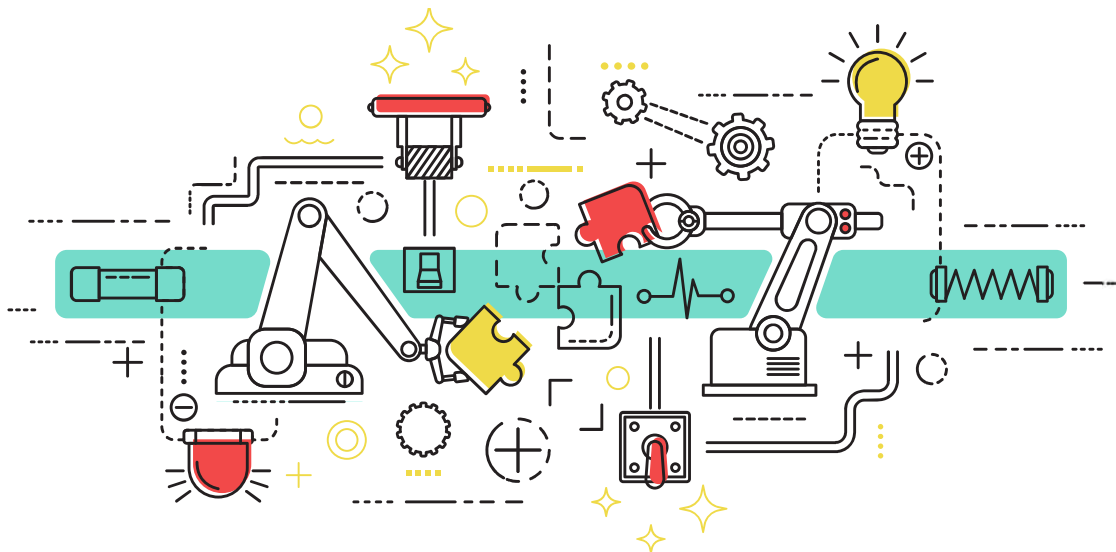
- » Diverse appearance; suitable for robot arm.
- » Short axial dimension.
- » High rigidity for stable precision work.
- » More compact and higher accurate.
- » Applied in robot industry, especially for multi-axis Robot joints

# Specification Chart

Performance	Unit	Ratio	SCSG17	SCSG20	SCSG25	SCSG32
Nominal Output Torque	Kgf*m/Nm	50	2.1/20.58	3.3/32.34	5.2/50.96	10/98
		80	2.9/28.42	3.61/35.5	8.30/81.5	15.5/152.5
		100	3.1/30.5	5.3/51.94	8.81/86.5	18/176.4
		120	3.1/30.5	5.3/51.94	8.81/86.5	18/176.4
Maximum Acceleration Torque	Kgf*m/Nm	50/120	3 times nominal output torque			
Emergency Stop Torque	Kgf*m/Nm	50	9/91	13/127	25/242	51/497
		80	12/113	17/165	34/332	75/738
		100	15/143	20/191	38/369	86/841
		120	11/112	20/191	40/395	91/892
Permissible Input Speed	rpm	50/120	3,500			
Standard Backlash	Arc-min	50/120	0.33	0.28	0.28	0.23
	Arc-sec	50/120	20	17	17	14
Max Tilting moment at flange face	Kgf*m / Nm	50/120	5.13/50.27	6.71/65.75	13.7/134.26	27.48/269.3
Maximum radial load	Kgf/N	50/120	241/2361	268/2626	442/4331	687/6732
Maximum axial load	Kgf/N	50/120	530/2361	590/2626	973/4331	1513/6732
Rated Operation Life	hr	50/120	10,000 At permissible input speed and nominal output torque.			
Operating Temperature	°C	50/120	-10 °C to 40 °C (ambient) / 90 °C (case maximum temp.)			
Sound Level	dB	50/120	52	53	55	60
Lubrication	-	50/120	4B No.2			
Ingress Protection Class	IP	50/120	IP54			
Gearhead Inertia	( $1 \times 10^{-4} \text{kgm}^2$ )	50/120	0.079	0.193	0.413	1.69
	( $1 \times 10^{-3} \text{kgm}^2$ )	50/120	0.081	0.197	0.421	1.72
Weight	kg	50/120	0.8	1.3	2	3.5
No Load Running Torque	Kgf*m/Nm	50/120	0.9 / 0.09	2 / 0.2	3.1 / 0.31	5.7 / 0.56

» Permissible axial load or permissible radial load is the value that satisfies the reducer life when either a pure radial load or an axial load is applied to the flange face. (When radial load is  $L_r + R = 0 \text{mm}$ , and axial load is  $L_a = 0 \text{mm}$ )

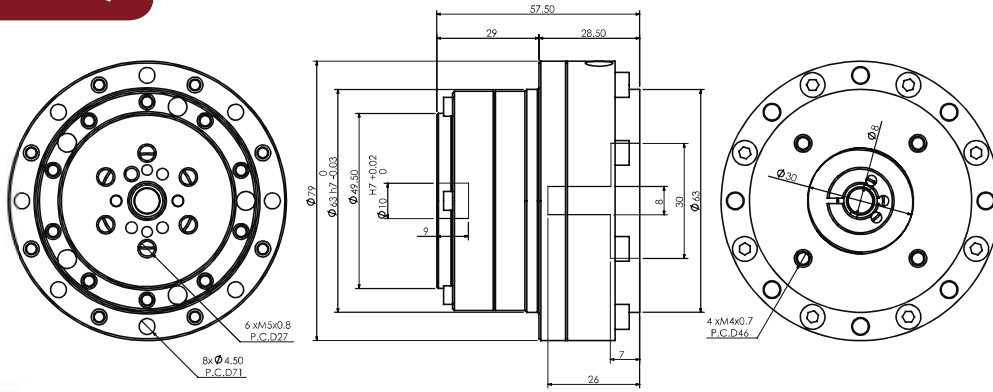
» We modify our standard gearboxes for customer requirements. Please inquire.



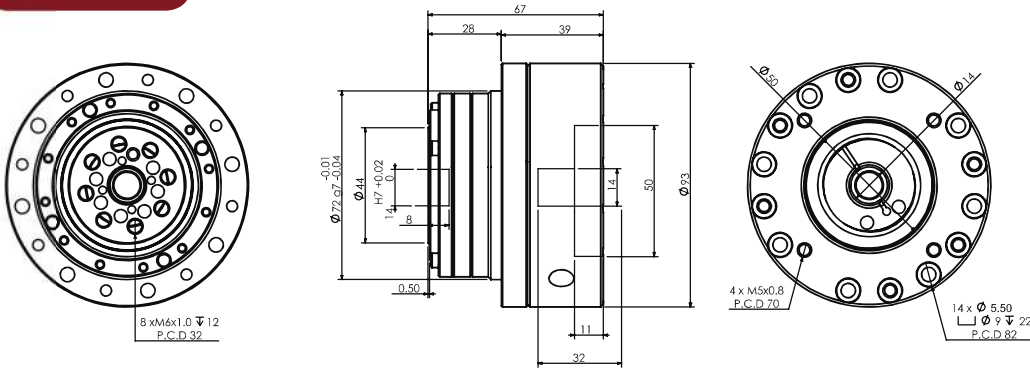


# Mechanical dimension

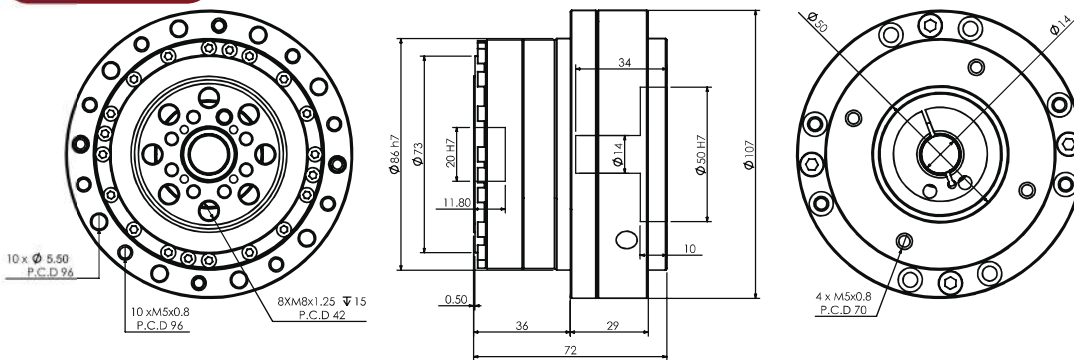
## SCSG17



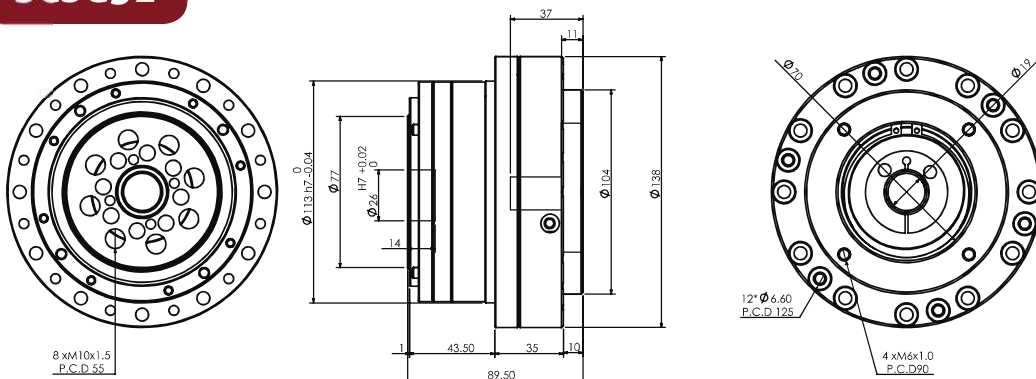
## SCSG20



## SCSG25



## SCSG32



# SMD Right Angle Gearbox

## 4 Reasons to Increase 50% Production



1

EXCLUSIVE PRODUCT,  
BACKLASH 1 ACR-MIN



2

INCREASES MACHINE  
WORKING SPEED & STABILITY



3

LOW VIBRATION



4

INCREASE PRODUCTION  
EFFICIENCY & QUANTITY



## GET IN TOUCH!

### HEADQUARTERS

**SMD Gearbox (Taiwan)**

📍 No. 339, Taishun Road, Taiping Dist,  
Taichung City, Taiwan

☎ +886 (09) 67388376

### HEAD OFFICE (OVERSEAS)

**SMD Gearbox (India)**

📍 A-51, H Block, M.I.D.C, Pimpri-Chinchwad,  
Pune-411018, Maharashtra, India

☎ +91 7030669818

✉ [sales@smdgearbox.com](mailto:sales@smdgearbox.com)

🌐 [www.smdgearbox.com](http://www.smdgearbox.com)

